

G1300SK Cabinet Lock

Features

- Reversible key can be removed when locked and unlocked
- When turning the key clockwise by 360°, cam rotates by 90°
- For keyed differently option, max. 1 million key changes available (made-to-order). Master key systems also available (max. 2,520 key changes per master key)
- Keys can be shared with **Million Lock series**

Notes

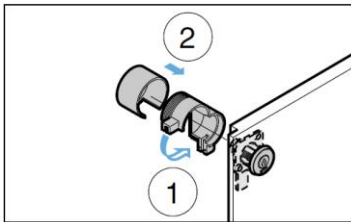
- Do not use in environments with water exposure

Parts Included

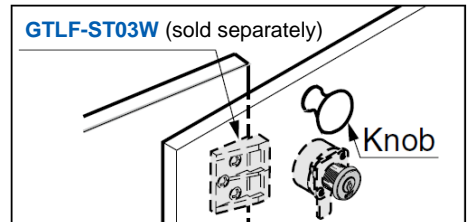
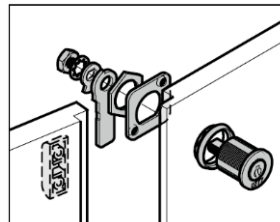
- Countersunk head screw M3×12 (SUS)



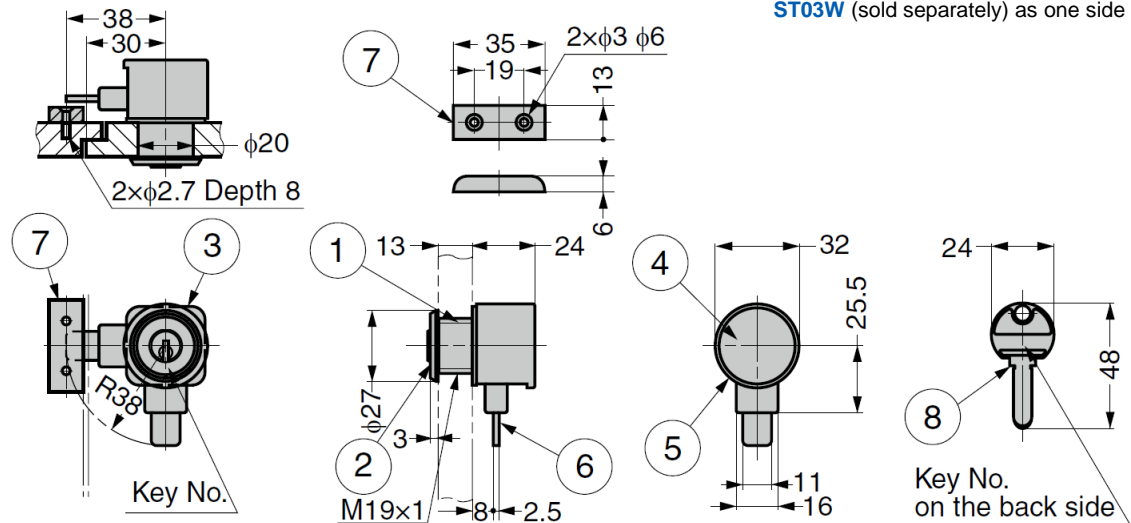
How to Install ④ Cover & ⑤ Ring



Installation



For overlay door, use counter plate **GTLF-ST03W** (sold separately) as one side strike



| No. | Part Name | Material | Finish/Colour |
|-----|-----------|--------------------------|------------------------|
| ① | Body | Brass | Satin |
| ② | Ring | | Nickel |
| ③ | Key Plate | Steel (SPCC) | Coloured Zinc Chromate |
| ④ | Cover | PP | Black |
| ⑤ | Ring | | |
| ⑥ | Cam | Stainless Steel (SUS304) | Plain |
| ⑦ | Strike | ABS | Brown |
| ⑧ | Key | Brass | Nickel |

Body

| Part No. | Key Type | Door Thickness |
|-----------|-----------|----------------|
| G1300SK-D | Key Alike | 13 |

Counter Plate (Sold Separately)

| Part No. |
|------------|
| GTLF-ST03W |